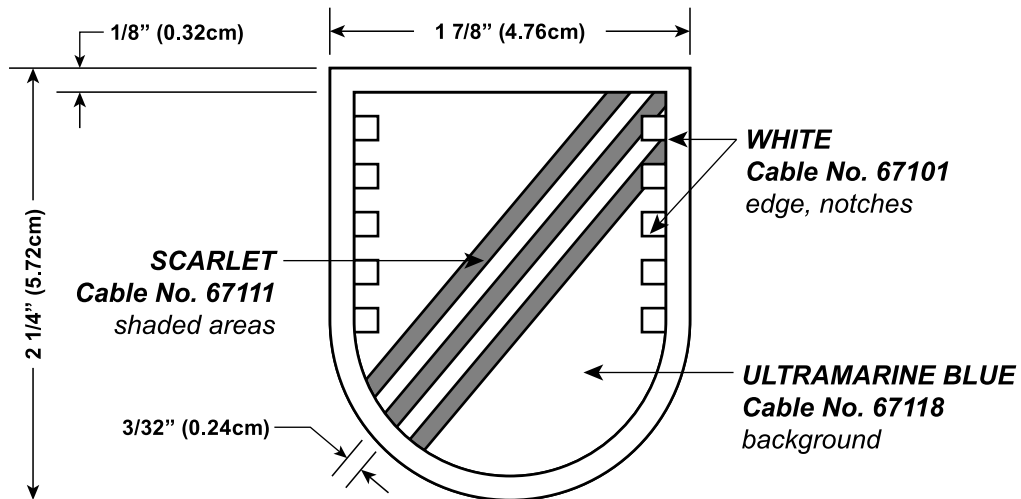


REVISIONS



DESIGNED FOR OVEREDGE STITCHING

DISTRIBUTION A. APPROVED FOR PUBLIC RELEASE

EXAMINED			THE INSTITUTE OF HERALDRY, DEPARTMENT OF THE ARMY		
CHECKED			9325 GUNSTON RD, RM S-113 FORT BELVOIR, VA 22060-5579		
PREPARED	AWW		BERET FLASH		
APPROVED	<hr/> <p style="text-align: center;">CHARLES V. MUGNO DIRECTOR</p>		5TH SECURITY FORCE ASSISTANCE BRIGADE		
			SIZE B	CONTROL IDENT. NO 22571	A-4-320
MATERIALS: TO BE MANUFACTURED IN ACCORDANCE WITH MIL-DTL-14652			SCALE	FULL	DATE 03 MAY 2019